



Visual Inspection Device

Time saving inspection tool

- Numerous automotive uses
 - Engine work
 - Air conditioner
 - Under dash work
 - Suspension and transmission work
 - Body panel cavities
 - Industrial maintenance
 - Machine tool inspection

Simple to use out of the box

- Power up and view

Included Accessories

- Magnet Attachment
- 90° Mirror Attachment



2 Year Warranty

For added purchase security



Features

- Hook, stand and magnets for hands-free operation
- 8mm diameter imager head fits into most spark plug holes
- Quick connect system allows you to change heads for different applications
Additional imagers sold separately
- Fully adjustable LED lighting provides direct light where it is needed
- 36" long flexible shaft
- .75" shaft bend radius for great flexibility
- Obedient shaft holds its shape in tight spaces
- 4-AA batteries included
- Durable Tool Housing – for long life
- Waterproof camera head and cable
- Resistant to solvents
- Storage case protects unit
- Waterproof video out jack

Excellent Image Quality

- 720 x 480 Imager Resolution
- 2.4" Color LCD – superior viewing compared to eyepiece boscopes
- Close focus range from 0.5" to 12"

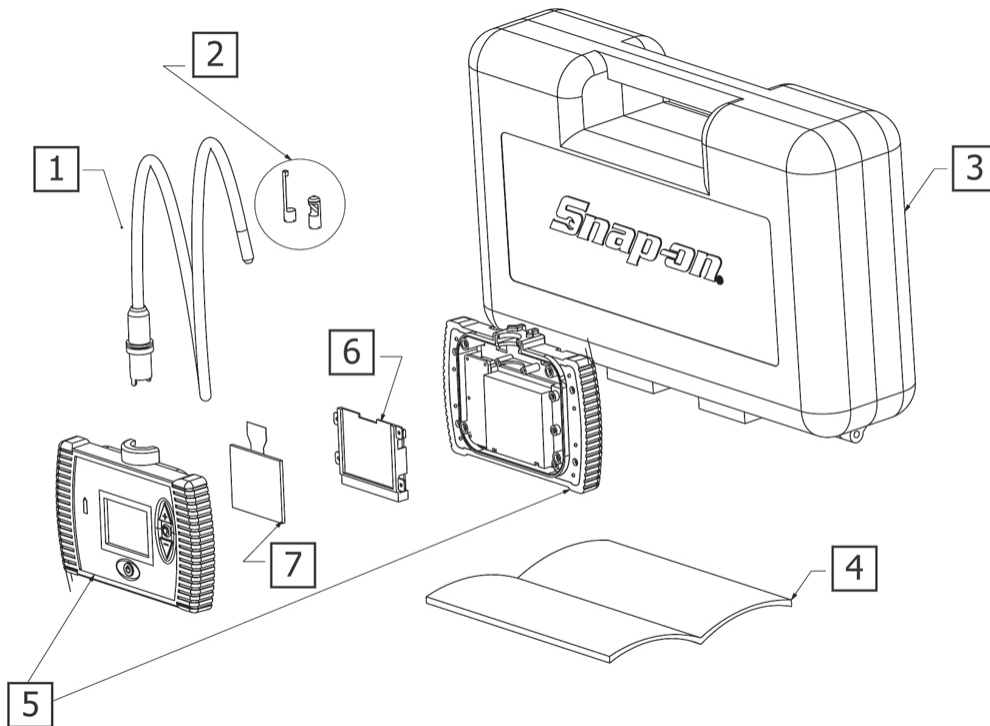


www.snapon.com/industrialuk

tel: +44 (0)1536 413904

email: industrialuk@snapon.com

BK5500 - Video Inspector Scope



Key	Stock Number	Description
1	BK5500-1	8MM Straight View Imager 36 Inch
2	BK5500-2	Magnet and Mirror Attachments
3	BK5500-6	BK5500 Blow Molded Case
4	ZBK5500	Instruction Manual
<u>Service Center Use Only</u>		
5	BK5500-3	BK5500 Housing
6	BK5500-4	BK5500 PCB
7	BK5500-5	BK5500 LCD Service Part

www.snapon.com/industrialuk

Tel: +44 (0)1536 413904 Email: industrialuk@snapon.com



WARNING



Read instructions before use.

THERE IS A DIFFERENCE™

Snap-on and There is a Difference are trademarks of Snap-on Incorporated. All other marks are trademarks of their respective holders. ©2007 Snap-on Incorporated. All Rights Reserved. www.snapon.com/industrialuk