



TRITON D8™

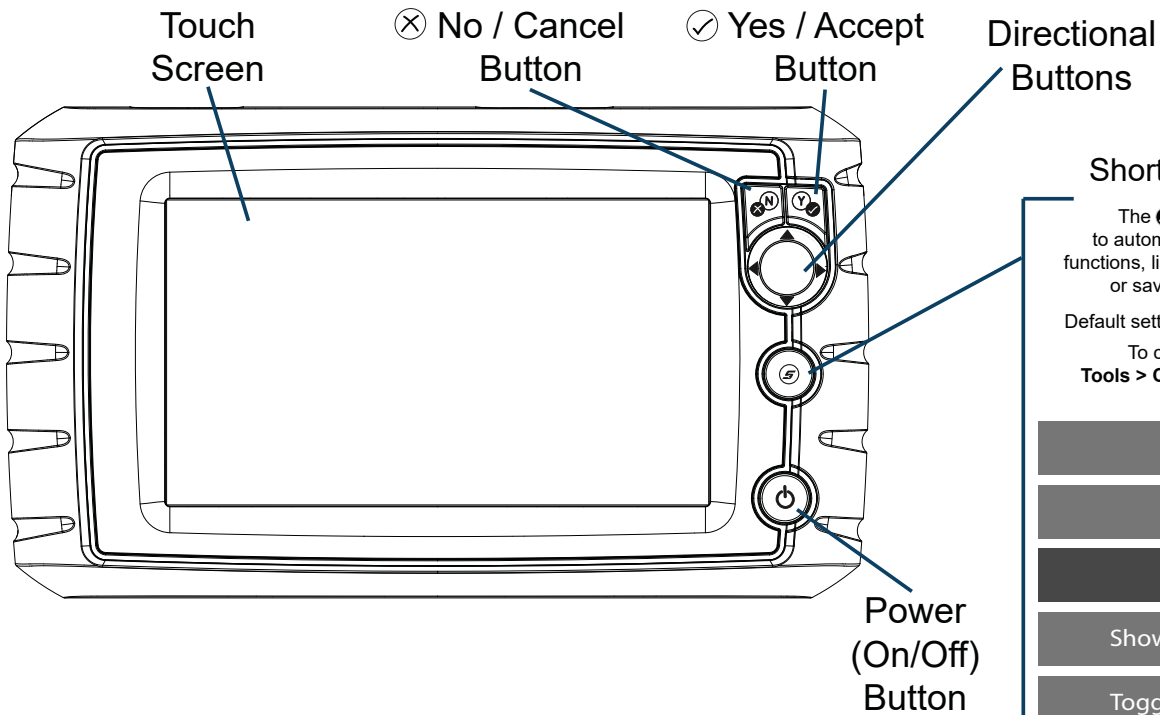
GETTING STARTED PACK




diagnostics.snapon.com/tritond8



Features and Button



Shortcut Button

The  button can be set to automatically perform routine functions, like capturing a screenshot, or saving a data file movie.

Default setting = **Save Screen**

To change, navigate to **Tools > Configure Shortcut Key**

Brightness

Save Screen

Save Movie

Show Shortcut Menu

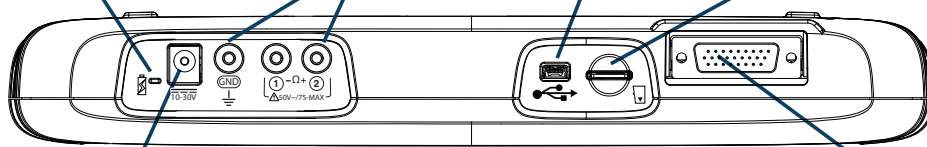
Toggle Record/Pause

Battery Status Indicator LED

Scope/Multimeter Jacks

Mini USB Jack

microSD Card

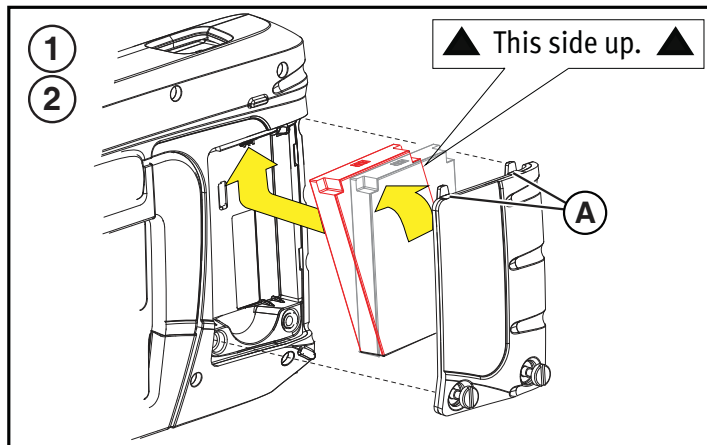


Power Supply Jack

Connect the AC power supply to charge the battery.

Data Cable Connector

Getting Started




1. Remove the battery pack cover, and install the battery pack (as shown) with the arrows facing up. Tilt the top of the battery in to align the tabs, then down to install.

2. Install the battery pack cover, aligning the tabs (A). Then tighten the screws.

Note - Do not overtighten the screws.



3. Connect the AC power supply, to charge the battery.

4. Press the Power  button.


*****IMPORTANT*****
Turn Wi-Fi on to use Intelligent Diagnostics, Quick Lookups and ALTUS.



5. To turn on Wi-Fi:

a. From the Home screen, select **Tools > Settings > Configure Wi-Fi**.

b. Select the **Wi-Fi** icon .

The icon will change to indicating Wi-Fi is on. .

c. Select a wireless network from the list of available networks, then select **Connect**.



6. To scan a vehicle:

a. Select **Scanner**.

b. Follow the screen prompts to ID the vehicle and to connect the Data Cable.


c. Select a test/service and follow the screen prompts.

Note - When you connect the Data Cable to an OBD-II vehicle, the diagnostic tool is powered by the vehicle.



Scanner

Scanner makes vehicle communication easy, by providing full scanning functionality including these features and more!


Intelligent Diagnostics -  Quickly find code-specific diagnostic information

Code Scan - Scan multiple systems in a single touch

Data Graphing - View multiple graphs at once for data comparison analysis


Tests/Resets - Perform functional component tests, and adaptive relearns

Scanner Basics

1. Select **Scanner** , from the Home screen.
2. Select the vehicle make.
3. As prompted, identify the vehicle.
4. Select a system (e.g. Code Scan, Engine, Transmission, Body, etc.).
5. Connect the Data Cable to the vehicle and diagnostic tool.
6. Select a function/test (e.g. Codes Menu, Data Display, Functional Tests, etc.).

Scanner / Intelligent Diagnostics - Demonstration

The built-in demonstration program includes a slide show Introduction to Intelligent Diagnostics, and allows you to interactively explore Scanner functions without actually connecting to a vehicle. The interactive demonstration allows you to navigate through Scanner operations, including vehicle identification, system selection, Code Scan, PID graphs, Intelligent Diagnostics and more!

1. Select **Scanner** , from the Home screen.
2. Select **Demonstration**, from the vehicle make menu.
3. Select **2014-E > Chevrolet > Tahoe (4WD) Demo - K > Tahoe 5.3 V8 SFI (LMG) - 0**.
4. Select **OK**, to confirm the vehicle, then select **Continue** (demo mode confirmation message).
5. Select **Engine > Codes Menu > Display Codes > DTC Display**, to display the code results list.

From the code results list there are two demonstration options:

- a - Continue interactive demo, see **Intelligent Diagnostics Demonstration**.
- b - View slide show, see **Introduction to Intelligent Diagnostics**.


Introduction to Intelligent Diagnostics

The Introduction to Intelligent Diagnostics slide show helps you get familiar with the basic menus and code-specific features. To view the slide show:

Select , then use the onscreen **Forward (>)** and **Back(<)** icons to navigate the slides.

Select **"X"** at anytime to exit and return to the codes results list screen.

Intelligent Diagnostics Demonstration

1. Select a code from the code results list.
2. Select  to display the Intelligent Diagnostics multi-card menu.

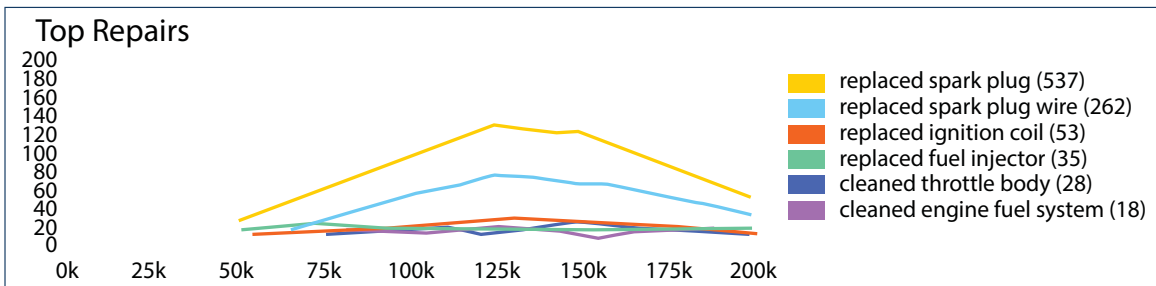


Wi-Fi required
to use
Intelligent Diagnostics.
Not required for Demo.

Intelligent Diagnostics gives you access to code-specific repair information, tests, OEM bulletins and Smart Data all in one menu. Use the dropdown menu to select a different code.



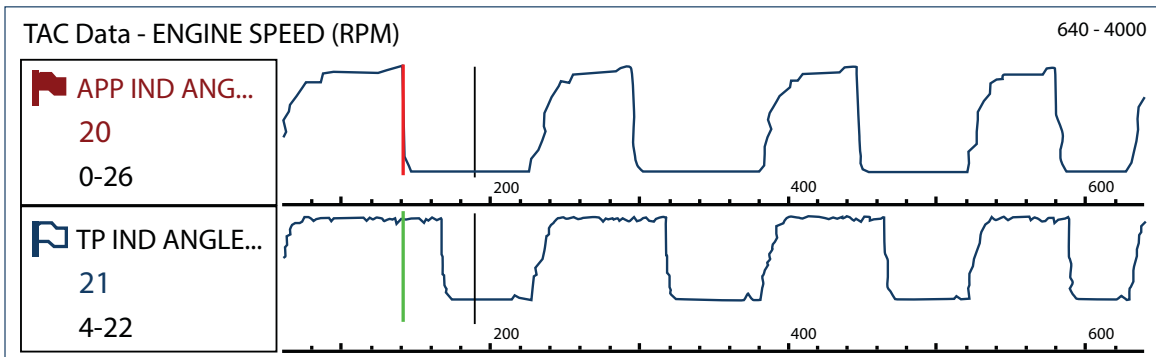
Top Repairs Graph - Displays the most likely repairs and probable causes for the selected code.



Technical Service Bulletins (TSB's) - Displays TSB's, Campaigns and Recalls related to the selected code.



Smart Data - Displays a custom list of PIDs related to the selected code. Smart Data uses “real-world” data to preset the PIDs upper and lower trigger values (any PID with a flag has been preset and armed). Any PID that exceeds it's limits will change it's flag color from blue to red, indicating a potential issue.





Functional Tests & Reset Procedures - Displays code-specific list of bi-directional tests that can be used to verify component or system operation during troubleshooting.



Guided Component Test Meters - Displays code-specific tests for components and sensors, including step-by-step instructions.



SureTrack® Top Real Fix - Displays the Top Real Fix for the code.



Real Fixes - Displays repair procedures, tests and tips related to the code.



Tips - Displays troubleshooter tips related to the selected code.



Quick Lookups



Quick Lookups makes finding valuable OEM service information and functional scanner tests easy!

Oil Specs and Resets:

Lookup engine oil specifications and reset the service interval.

- Capacity Information and Specifications
- Scanner Reset of Service Interval
- OEM Reset Procedures and Information

Tire and Wheel Service:

Perform TPMS functional tests and indicator resets. View reset/repair procedures and tire fitment specifications.

- Reset Procedures and Information
- Repair Procedures
- Scanner Reset of Service Indicator
- Tire Fitment Specifications



Scope Multimeter

Measure waveforms, test circuits and components using the built-in 2-channel lab scope, graphing multimeter (GMM), and digital multimeter (DMM). Pre-configured tests include these and more!

- Volts DC
- Volts AC RMS
- Ohms
- Diode Continuity
- Pressure and Vacuum
- Low Amps (20,40 and 60)
- Duty Cycle
- Injector Pulse Width
- Pulse Width
- Frequency



Guided Component Tests

Perform vehicle specific component tests, using guided instructions to help you verify component integrity and validate repairs. Vehicle information may include:

- **Component testing instructions and locations**
- **Waveform examples**
- **Illustrated connectors with pinouts**
- **Diagnostic references**

CKP Sensor Signal Test (Example)

1. Select **Guided Component Tests** from the Home screen.
2. Select **US Domestic > Chevrolet > 2010 > Camaro > 3.6L VIN V**
3. Select **OK**, then **Engine > CKP Sensor > Signature Test**

A pre-configured test screen appears with test lead connection instructions, and an example of a known good waveform.

Select  to toggle between guided instructions and the test screen.

Select **Training and Classes** from the Guided Component Tests vehicle make menu to access the following reference information:

- **How To Guide** - Find theory, troubleshooting, and testing information
- **Power User Tests** - Quickly access pre-configured tests
- **Features and Benefits** - Provides feature and accessory information.



OBD-II / EOBD

Quickly access global OBD-II/EOBD codes, tests, and data without having to identify the vehicle.

Menu Options:

- **OBD Direct** - access OBD-II/EOBD service modes (e.g. \$01 to \$0A), allowing you to view current diagnostic trouble codes, parameter data, freeze frame information, O2 sensor monitoring test results, check calibration numbers, and more!
- **OBD-II Health Check** - quickly check or clear diagnostic trouble codes, check readiness monitor status, and MIL status.



Previous Vehicles and Data

Save setup time when re-testing a vehicle, and review your saved files.

- **Vehicle History** - lists the last twenty-five vehicles selected.
- **View Saved Data** - lists saved data files, including screen images.
- **Delete Saved Data** - permanently erases saved files from memory.


Using ALTUS™

Automatically* transfer Code Scan results to **ALTUS**, our cloud-based mobile-friendly site. Then use your mobile device to access, print and share the Vehicle System Report.

From **ALTUS** you can also access **ShopStream™ Connect (SSC)** - the application that allows you to download software updates and upgrades. SSC also offers additional tools to help you manage your data files.

Connecting to Wi-Fi and Finding Your Registration Codes

Using a mobile device or PC - if you already have a SureTrack® account, then follow the instructions below. If you are a new user, then you will need to create an online account.

1. From the Home screen, select **Tools > Settings > Configure Wi-Fi**.
2. Turn Wi-Fi on  and select a network.
3. When connected a confirmation screen displays the device **Serial Number, PIN** and **Code** needed to register. Record these numbers.
4. Create your **ALTUS** account (see below).

Creating Your ALTUS Account

Using a mobile device or PC - if you already have a SureTrack® account, then follow the instructions below. If you are a new user, then you will need to create an online account.

New User:

1. Visit <https://ALTUSDRIVE.com> and select **Create Individual Account** from the Login screen.
2. Enter the required information and create a **Username** and **Password**, then select **Create**.
3. At the “Success” confirmation screen, select **Done**.
4. Log in using your **Username** and **Password**.
5. Answer the security questions, then select **Submit**.
6. From Technician Profile Manager select the **Device Management** tab.
7. Select **Add Device**, enter your **Serial Number, PIN, Code**, and **Device Name**.
8. Log out of **Profile Manager**, then select the **ALTUS Home Page** browser tab to get started.

If You Have a SureTrack Account:

1. Visit <https://ALTUSDRIVE.com> and select **Login** (upper right screen).
2. Log in using your current **Username** and **Password**.
3. Open the **Profile Manager** (login required again).
4. From the **Device Management** tab, select **Add Device**.
5. Enter your **Serial Number, PIN, Code**, and **Device Name**.
6. Log out of **Profile Manager**, then select the **ALTUS Home Page** browser tab to get started.

* Wi-Fi  connection required.

Customer Support

Phone: (800) 424-7226

Email: diagnostics_support@snapon.com

Website: diagnostics.snapon.com/faq

Safety Information

Before using this diagnostic tool, read and understand the *Important Safety Information* document provided within this kit. The *Important Safety Information* document is also available at: diagnostics.snapon.com/usermanuals



User Manual

Before using this diagnostic tool, read and understand the user manual.

Download the user manual from: diagnostics.snapon.com/usermanuals

Warranty Activation and Extension

To activate your warranty, and ensure you have access to the latest software upgrades, register your diagnostic tool today.

U.S. Customers: <https://registration.snapon.com/products/us>

Canadian Customers: <https://registration.snapon.com/products/ca>

Extended warranty protection is available for an additional 12, 24 or 36 months. Contact your local Snap-on representative for information.

Software Subscription Program

Snap-on is continually enhancing our diagnostic software to provide our customers with the latest information available, not only for new vehicles but for older vehicles as well. When new coverage and features become available, we offer a new software release. To ensure you have the latest code, data, and testing coverage for thousands of vehicle systems, Snap-on offers upgrade options to meet your needs. To find out more, contact your Snap-on sales representative, or visit: diagnostics.snapon.com/theprogram

Important Information

Before using this diagnostic tool, read and understand:

- The *Important Safety Information* - included in this kit
- The TRITON D8™ *User Manual* - available online at:
diagnostics.snapon.com/usermanuals

Get the most from your new diagnostic tool.

The latest software upgrades are as close as your Snap-on Representative's van, or for more information visit: diagnostics.snapon.com

Training Solutions®

To maximize your productivity, Snap-on Training Solutions offers in-depth, multi-level training at no charge, available 24/7 at: diagnostics.snapon.com/trainingsolutions

Snap-on is a trademark, registered in the United States and other countries, of Snap-on Incorporated. All other marks are trademarks or registered trademarks of their respective holders. ©2018 Snap-on Incorporated. All pictures and illustrations shown are for reference purposes only. All information including specifications herein are subject to change without notice. EAZ0128L02A Rev. A

TRITON D8™

The Snap-on logo is displayed in its characteristic stylized, italicized font with a metallic, 3D effect. It is set against a red background and enclosed within a thin white rectangular border.